



Oasis SE Series - Single Element

# Cartridge Filters

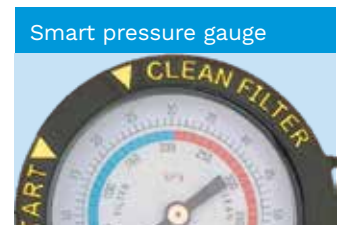
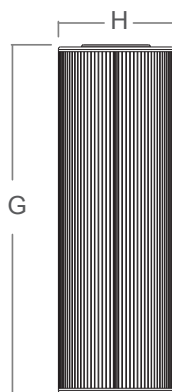
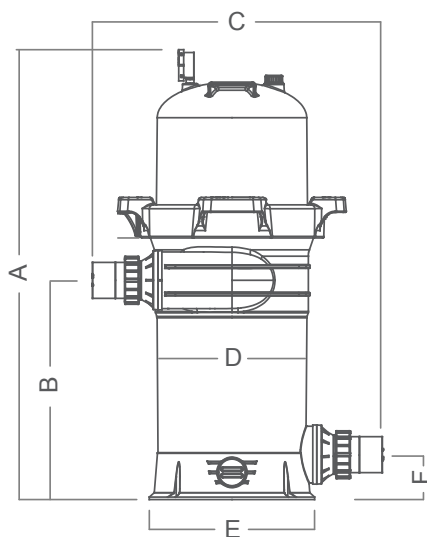
Environmentally friendly,  
high performance filter for  
your family.

- ✓ Trouble-free maintenance
- ✓ Easy to use
- ✓ Sleek modern look
- ✓ Eco-Friendly
- ✓ Cyclonic effect

# Deliver Optimal Sparking Clear Water

The compact and low height design is suitable for any pool especially with limited system setup space.

Extensive dirt-catching capacities of the filter element makes this filter highly efficient. A reliable choice for crystal clear water.



## Technical Information:

Model	Filtration Area m <sup>2</sup>	Design Flow lpm	A mm	B mm	C mm	D mm	E mm	F mm
SE100	9.29	380	825	444.5	588	304	335	91
SE150	13.94	455	910	444.5	588	304	335	91
SE200	18.58	455	1033	444.5	588	304	335	91

Model	Fold no.	Micron µm	G mm	H mm
SE100-ELEMENT	137	15	497	ø 267
SE150-ELEMENT	172	15	590	ø 267
SE200-ELEMENT	187	15	717	ø 267

## Warranty

For full product warranty information, please visit: [sunloverheating.com.au/warranties/](http://sunloverheating.com.au/warranties/)



For more details visit [oasisaquatics.com.au](http://oasisaquatics.com.au)

**Head Office**  
6-8 Austral Place,  
Hallam VIC 3803  
T: 03 9887 2131

**New South Wales**  
Unit 2, 10 Boden Road,  
Seven Hills NSW 2147  
T: 02 9838 0000

**Queensland**  
11 Andys Court,  
Upper Coomera QLD 4209  
T: 07 5679 6821

