



Oasis CX Freshwater Ultra Low Salt & Mineral

# Chlorinator

Softer, silkier feeling water, the healthier choice.

- ✓ Ultra low salt level operation: 1,200 - 1,500 ppm
- ✓ Sleek impact resistant cell housing design
- ✓ Avoid high costs associated with large amounts of minerals or salt
- ✓ Suitable for any pool type (concrete, fibreglass, vinyl and tiled)
- ✓ Salt or mineral compatible
- ✓ Easy to use controls
- ✓ Saves money on salt or minerals purchases
- ✓ Exceptionally low running costs

FULL WARRANTY  
**4 YEARS\***  
OR 10,000 OPERATING HOURS  
\*Domestic or commercial installations, whichever comes first

# The Oasis Freshwater Ultra Low Salt & Mineral Chlorinator is an innovative solution for pool owners looking to improve the quality of their pool water while reducing the time and costs associated with pool maintenance.

## Features

- > Variable speed pump compatible
- > Ultra long life self-cleaning cell
- > Premium titanium quick connect cell
- > Built in self regulator for high salt
- > Single and dual timer cycles
- > Automatic battery backup timer
- > Unique cell design allows for horizontal or vertical installation
- > Smart self cleaning cell electrodes
- > Backwash, super chlorinate and winter mode functions
- > Salt / TDS test and water flow protection

## Heat Junction / Chlorinator Override Function

is used to avoid over chlorinating the swimming pool, which can often occur when a longer heat up time is required. This allows for a true one pump system to be used with the heater plumbed in line without over chlorinating the pool thus saving time and money.

## Pool Blanket & Winter Mode

ensures the chlorinator is dialed down when the blanket is on, ensuring your pool is never over chlorinated.



**100% Sustainable**



**Pristine water quality**



**Intelligent fully automated system**



**Strong reliable construction**



**Healthy mineral-rich water**



**Exceptionally low running cost**



**Fully automated**

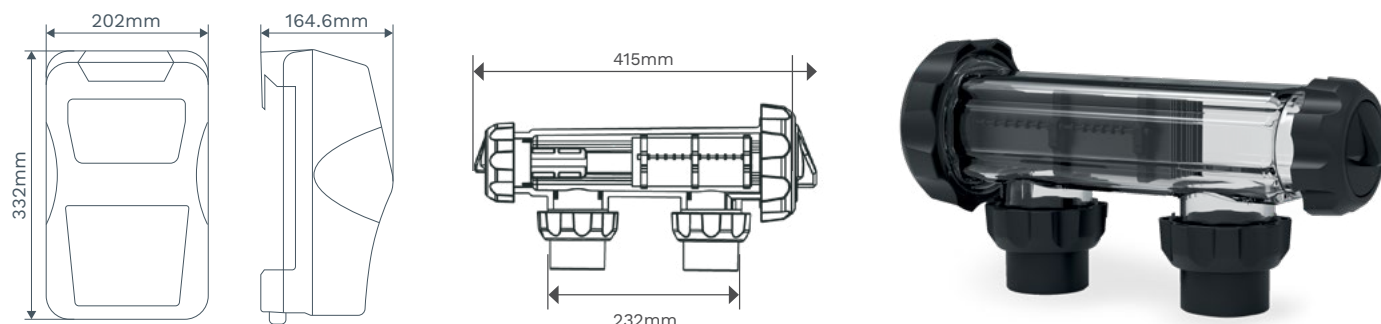


**Easy installation to new or existing pools**

## Specifications

Model	Output	Pool Volume Cool Climate	Pool Volume Warm Climate	Max Pump Size	Max Current including Pump
<b>CX25-LS</b>	25g /hr	85,000 ltr	55,000 ltr	8 amps	10 amps
<b>CX35-LS</b>	35g /hr	120,000 ltr	80,000 ltr	8 amps	10 amps

## Dimensions



For more details visit  
[oasisaquatics.com.au](http://oasisaquatics.com.au)

To discuss your pool equipment needs, contact your nearest office

**Head Office**  
6-8 Austral Place,  
Hallam VIC 3803  
T: 03 9887 2131

**New South Wales**  
Unit 2, 10 Boden Road,  
Seven Hills NSW 2147  
T: 02 9838 0000

**Queensland**  
11 Andys Court,  
Upper Coomera QLD 4209  
T: 07 5679 6821

