



# RIGID SOLAR HEATING

- ✓ SUPERIOR HEAT ABSORPTION
- ✓ MOST DURABLE SOLAR PANEL AVAILABLE
- ✓ FREEZE RESISTANT

**COCKATOO  
AND VERMIN  
RESISTANT**



**MULTI AWARD  
WINNERS**

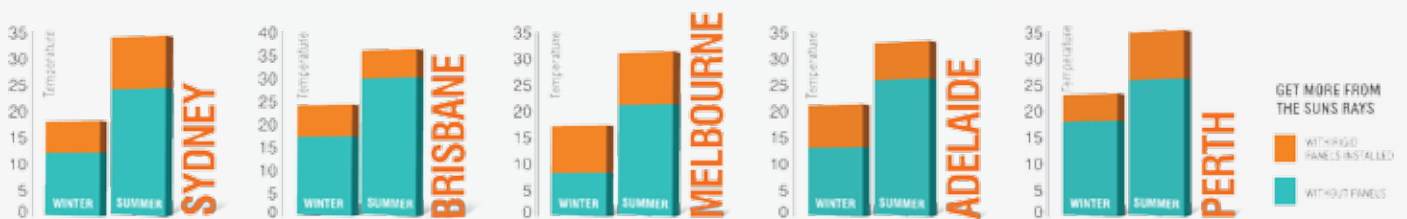
*Your pool heating Partner*

# EXTEND YOUR SWIMMING SEASON TO DOUBLE THE NORMAL PERIOD AND SWIM ANY TIME OF THE DAY



Are you getting the benefit of nature's free solar resource?

Pool water temperatures naturally vary from north to south, from season to season, and even from early morning to night. Sunlover Heating solar systems deliver the 'swim when you want' lifestyle - that adds value to your pool.



## HOW IT WORKS: PROVEN TECHNOLOGY

Heating water with solar absorbers is a proven thermal engineering concept that has been used for centuries.

Solar systems are economical and long life because they are simple – cold water pumped from your pool through solar absorbers on your hot roof collects heat as it makes the return trip to your pool.

The water temperature is managed by an electronic controller.

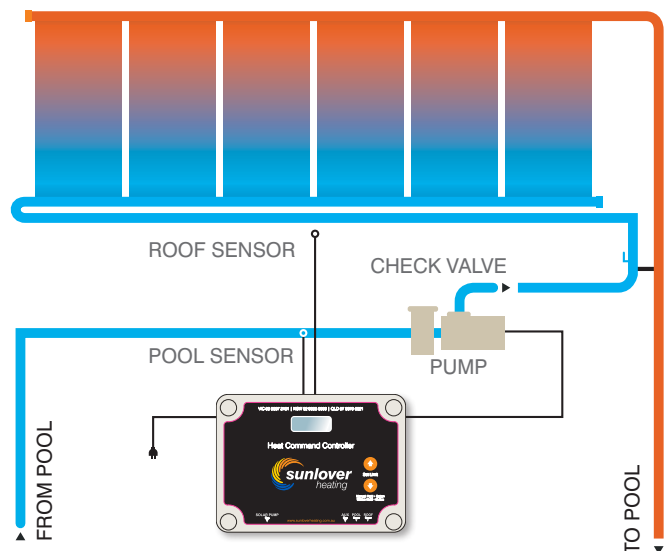
Today, Sunlover Heating applies state of the art systems design and polymer engineering to its solar absorber products to deliver the lowest cost and most reliable heating you can get for your pool.

## CONTROLLING YOUR FREE SOLAR POOL HEATING

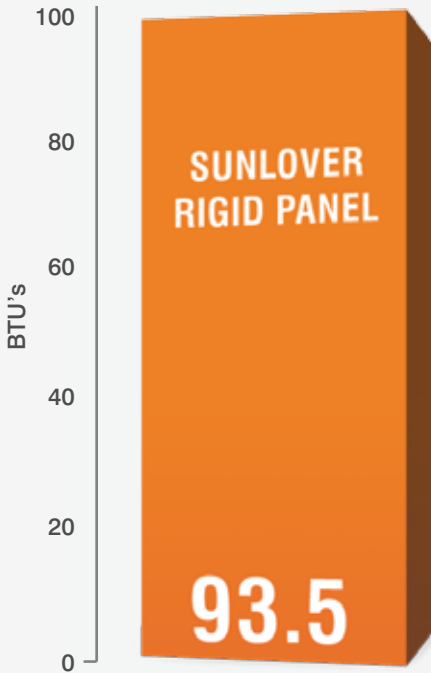
Sunlover Heating solar systems are easy to operate with your choice from a range of electronic controllers featuring easy to follow digital readouts.

You set your desired water temperature and desired operating times and forget it. You can also alter your settings at any time for a quick boost of heat, or reduce the pool temperature during a heat wave.

The sophisticated Sunlover Heating digital controllers are reliable Australian made and serviced, and available with optional wireless roof sensor.



- ✔ FREEZE RESISTANT
- ✔ MOST DURABLE SOLAR PANEL AVAILABLE
- ✔ EFFICIENT DESIGN REDUCES HEAT LOSS
- ✔ HIGH BTU RATING



**OUR RIGID PANELS HAVE THE HIGHEST BTU RATING IN THE MARKET.**

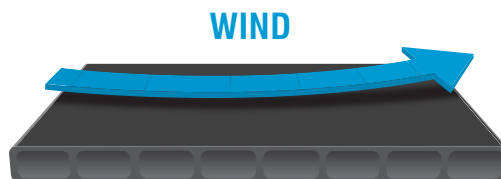
LESS HEAT LOSS MEANS A MORE EFFICIENT SYSTEM

SUNLOVER PANELS HAVE A BTU RATING OF 93.5 BTU/M<sup>2</sup>

**What are BTU's?**

BTU's are a unit of measure used to measure thermal (heat) energy. The higher the BTU's the more heat retained by a solar collector.

Sunlover collectors have the lowest heat loss because of our connected flow tubes (vs. Conventional individual tubes)



**INDESTRUCTIBLE**

- ⊕ Fully moulded tubes to the main header for extra strength
- ⊕ Solar collector tubes are manufactured with extra thickness for superior durability & longer life expectancy
- ⊕ The panels are so well built that they can withstand the strength of a 241km/h cyclone

**HIGH EFFICIENCY**

- ⊕ Interconnected flow tubes to prevent heat loss
- ⊕ Every panel is factory pressure tested for strength & leaks
- ⊕ Once the panels are installed, there is no additional maintenance or cost.

**NOT LIKE TYPICAL RIGID SOLAR**

- ⊕ Other Panels allow heat to escape between the tubes, cooling the flowing water down.

**COCKATOO AND VERMIN RESISTANT**

# TECHNICAL SPECIFICATIONS

Part #		c15ts12	c15ts10	c15ts08
<b>Dimensions</b>				
Overall Length	m	3.64	3.04	2.42
Absorber Width	m	1.21	1.21	1.21
Header Length	m	1.29	1.29	1.29
Gross Area	m <sup>2</sup>	4.395	3.666	2.917
# Flow Channels		104	104	104
<b>Flow Rates</b>				
Max	l/min	37.86	37.86	37.86
Min	l/min	11.36	9.47	9.47
Rec	l/min	18.55	18.55	18.55
<b>Performance</b>				
FSEC Rating / m <sup>2</sup>	BTU	10828	10828	10828
Wind Load	Km/H	241.4	241.4	241.4
<b>Weight</b>				
Dry	Kg	13.15	10.89	8.62
Wet	Kg	28.35	24.35	20.28

## CONTROLLER RANGE

Sunlover Heating has a large range of controllers to work in all situations. Functions include:

- ⊕ Temperature adjustment
- ⊕ Winter & tropical mode
- ⊕ Fitted with current detection on the auxiliary outlet power socket such that the solar pump can only operate if the filter pump is running
- ⊕ Will run in conjunction with the existing chlorinator
- ⊕ Filter Pump multi function Timer
- ⊕ Auto Over-Ride that switches the Filter Pump on if the solar gain is present out of normal filter times
- ⊕ Manual Over-Ride that locks out the Solar Pump when back washing or cleaning lint pot
- ⊕ Extra Power Plug that eliminates the expense of having an additional power point fitted

## INDUSTRY'S BEST WARRANTY

- ⊕ Warranty against damage caused by cockatoos
- ⊕ No Repair or Replace Clause
- ⊕ Freeze Damage Included

Sunlover Rigid Panel solar collectors come with a 25 year product warranty — an initial 10 year period, followed by a 15 year pro rata warranty. This is the best warranty and is backed by over 35 years of supply to the industry

OUR RIGID SOLAR PANELS ARE ACCREDITED BY



## Pool Pumps

We supply pumps by industry leading manufacturers such as Astral.



Distributed by

Contact Sunlover Heating to find out more about our solar heating range

### Head Office

62 Parkhurst Dr  
Knoxfield VIC 3180  
T: 03 9887 2131  
F: 03 9887 4931

### New South Wales

Unit 1, 20-22 Foundry Rd  
Seven Hills, NSW 2147  
T: 02 9838 0000  
F: 02 9838 0466

### Queensland

Unit 1, 8 Reichert Dr  
Molendinar QLD 4214  
T: 07 5679 6821  
F: 07 5597 7361



[www.sunloverheating.com.au](http://www.sunloverheating.com.au) Email: [sales@sunloverheating.com.au](mailto:sales@sunloverheating.com.au)