

Gas Heater

Specifications



Manual ByPass

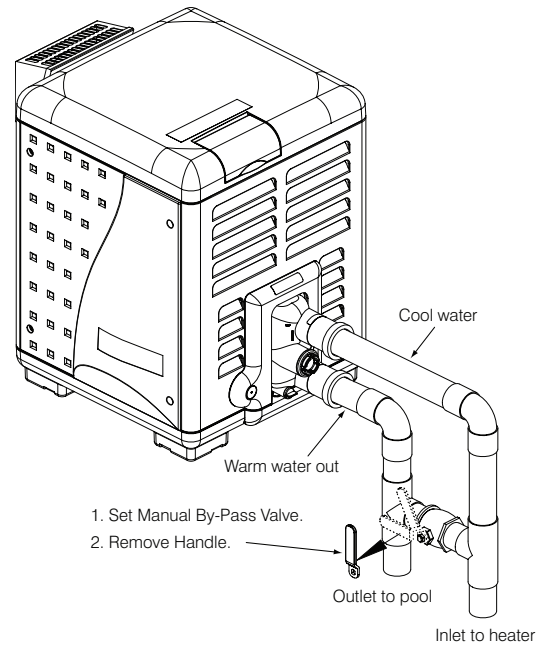
Where the water flow rate exceeds the maximum 454 Litres per Minute (LPM), a manual bypass should be installed and adjusted. After installing the valve, adjust the valve to bring the flow rate within the acceptable range. Then remove the valve handle or lock it in place to avoid tampering. See *drawing right*.

Model	Min. LPM (GPM)	Max. LPM (GPM) *
MT125	76 (20)	265 (70)
MT200	76 (20)	454 (120)
MT300	114 (30)	454 (120)
MT400	152 (40)	454 (120)

* Do not exceed the maximum recommended flow rate for the connecting piping.

Gas Pipe Sizing

Heater Size	Distance from Meter		
	0 - 15m	16 - 30m	31-60m
MT200	25mm	32mm	32mm
MT300	32mm	32mm	40mm
MT400	32mm	40mm	50mm



Heater Clearances - Outdoors

IMPORTANT!

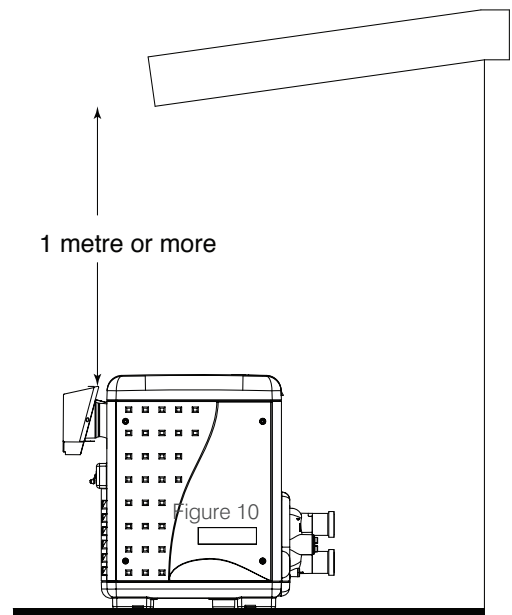
- In an outdoor installation it is important to ensure water is diverted from overhanging eaves with a proper gutter/drainage system. The heater must be set on a level foundation for proper drainage.
- This unit shall not be operated outdoors at temperatures below -7°C.

If the heater is located under a roof or deck overhang, there must be at least 1 metre (3 ft.) of clearance between the bottom of the overhang and the top of the heater exhaust vent, see Figure 10. If the heater is under a roof or deck overhang, the space around the heater must be open on three sides.

For minimum exhaust vent clearances for building openings, see below Figure 11.

Orient the heater for convenient access to the water connections and the gas and electrical connections.

Check local building codes for setback (property line) requirements.



CAUTION

If installing the heater next to or near an air conditioning unit or a heat pump, allow a minimum of 91.4 cm (36 in.) between the air conditioning unit and the heater.

Outdoor Installation Venting Guidelines

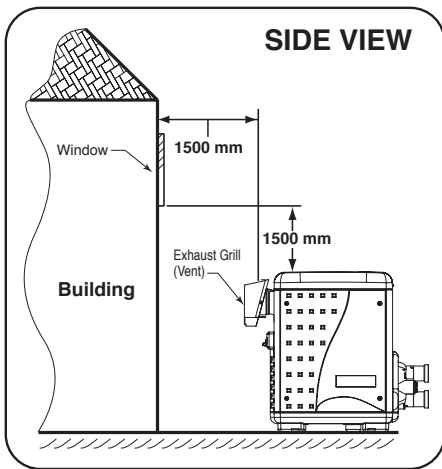
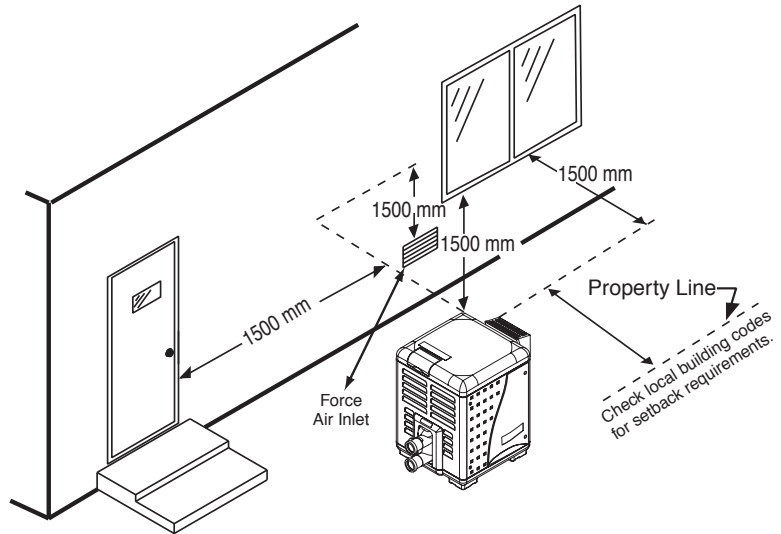


Figure 11



Vent Termination:

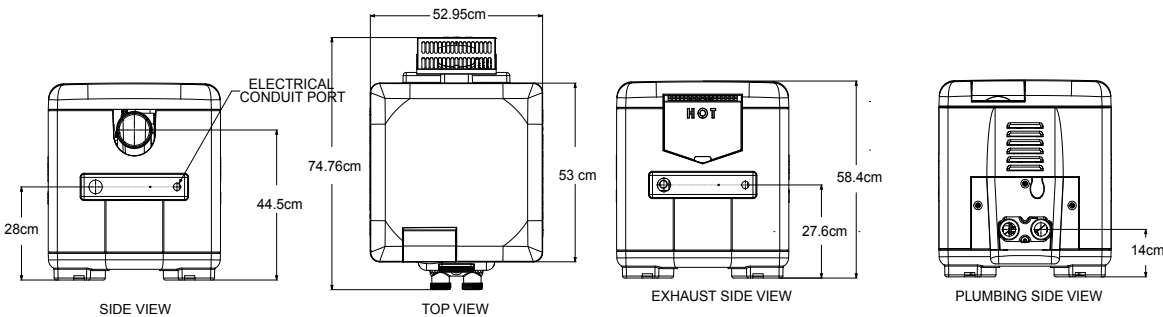
- Must be installed at least 1500 mm away from the building wall openings, and at the above distances away from any door, window, or gravity air inlet.
- The heater must also have no obstructions above it.

WARNING

Risk of fire and explosion. Do not spray aerosols in the vicinity of the heater while it is in operation. Chemicals should not be stored near the heater installation. Combustion air can be contaminated by corrosive chemical fumes which can damage the heater and will void the warranty.

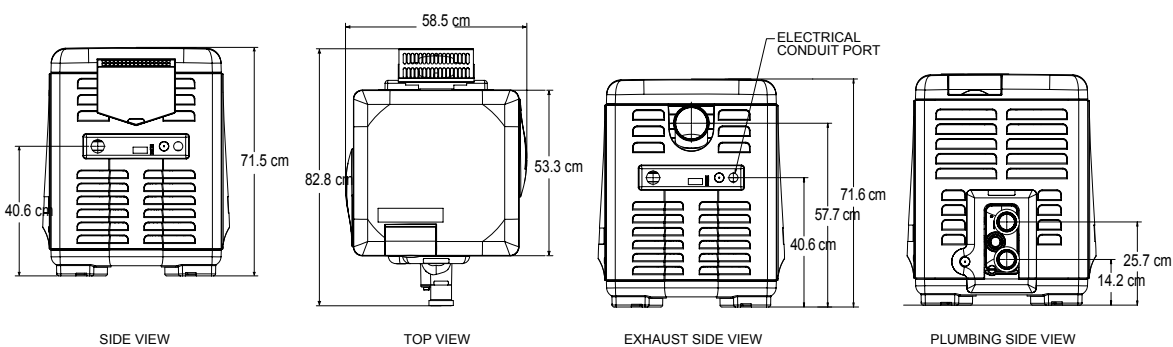
MasterTemp 125 Specifications

Measurements



MasterTemp 200 / 300 / 400 Specifications

Measurements



Head Office
62 Parkhurst Dr
Knoxfield VIC 3180
T: 03 9887 2131
F: 03 9887 4931

New South Wales
Unit 2, 20-22 Foundry Rd
Seven Hills, NSW 2147
T: 02 9838 0000
F: 02 9838 0466

Queensland
Unit 1, 8 Reichert Dr
Molendinar QLD 4214
T: 1800 314 388
F: 07 5597 7361

sales@sunloverheating.com.au
sunloverheating.com.au