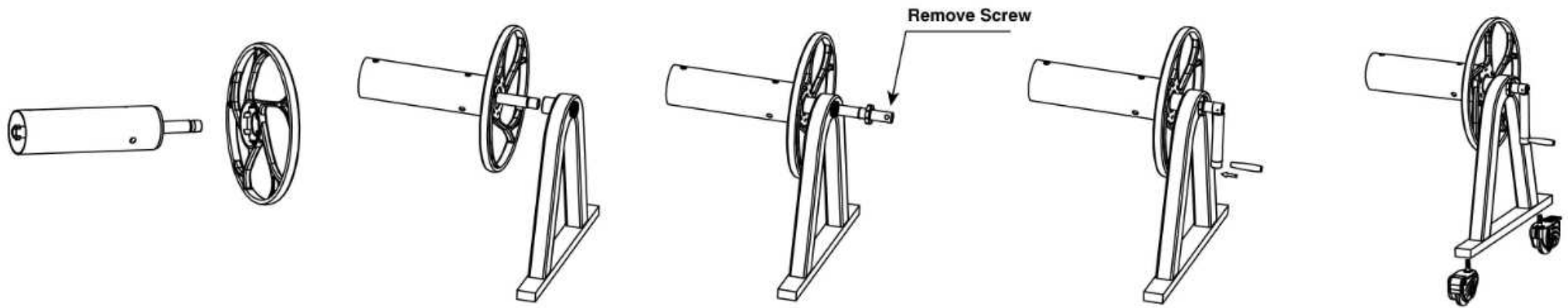


# ST & FM Roller Installation Instructions



**1**

Push hand wheel onto hub ensuring they lock in. Insert Hub through roller frame

**2**

Insert small circlip into the small shaft protruding through the roller frame and remove small screw and replace with plastic handle.

**3**

Place small black plastic cover over the tubes penetrating the frames. The cover with the hole goes over the handle

**4**

Clip on plastic feet or on FM models only screw in wheels making sure the wheel with the brake is at the rear of the roller

**5**

Connect the straps to the roller tube by removing the small black plugs  
Use the alligator clips to attach to the blanket and adjust length as required

**6**

**ALWAYS** use the white over cover when the blanket is wound on the roller as failing to do so may void your warranty.

Extra straps are provided to lock over cover on when coving the blanket



**Head Office**  
62 Parkhurst Drive  
Knoxfield VIC 3180  
Telephone: 03 9887 2131

**New South Wales**  
2/20-22 Foundry Road  
Seven Hills NSW 2147  
Telephone: 02 9838 0000

**Queensland**  
Factory 1, 8 Reichert Street  
Molendinar QLD 4214  
Telephone: 07 5679 6821