



CX Premium Salt & Mineral Chlorinator

Chlorinator

Keeping your pool healthy.

- ✓ Salt or mineral salt compatible
- ✓ Variable speed pump compatible
- ✓ Strong reliable construction
- ✓ Easy to use controls
- ✓ Efficient chlorine production
- ✓ Ultra long life self-cleaning cell
- ✓ Fully automated



Made from premium grade materials, the Oasis Salt & Mineral Chlorinator provides fast setup and installation.

Features

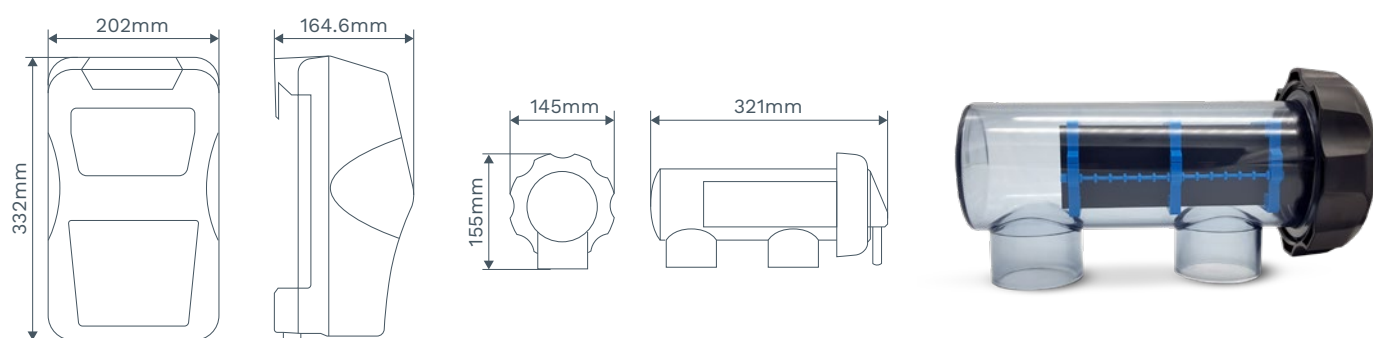
These units are fully automated, efficiently controlling chlorine production to keep your pool healthy. Our sophisticated units feature self cleaning, backwash, super chlorinate and winter mode functions.

- > Fast setup with new or existing pool systems
- > Quick release cell
- > Cell can be installed horizontally or vertically
- > Variable speed pump compatible
- > Smart temperature sensors (Power supply & water)
- > Low Salt operations 3000-3500ppm (0.3% - 0.35%) with built in self-regulator for high salt
- > Bright backlit display
- > Smart self cleaning cell electrodes
- > Premium titanium quick connect cell
- > Backwash, super chlorinate and winter mode functions
- > Single or dual timer cycles
- > Salt / TDS test and water flow protection
- > Automatic battery backup timer
- > Modern slimline design
- > Suitable for any pool type (concrete, fibreglass, vinyl and tiled)

Specifications

Model	Description	Output	Pool Volume (litres) Cool Climate	Pool Volume (litres) Warm Climate	Max Pump Size	Max Current including Pump
CX15	CX15 Salt & Mineral Chlorinator	15g /hr	50,000	35,000	8 amps	10 amps
CX25	CX25 Salt & Mineral Chlorinator	25g /hr	85,000	55,000	8 amps	10 amps
CX35	CX35 Salt & Mineral Chlorinator	35g /hr	120,000	80,000	8 amps	10 amps
CX45	CX45 Salt & Mineral Chlorinator	45g /hr	160,000	105,000	8 amps	10 amps
CX55	CX55 Salt & Mineral Chlorinator	55g /hr	200,000	130,000	8 amps	10 amps

Dimensions



For more details visit
oasisaquatics.com.au

Head Office
62 Parkhurst Dr
Knoxfield VIC 3180
T: 03 9887 2131

New South Wales
Unit 1, 20-22 Foundry Rd
Seven Hills, NSW 2147
T: 02 9838 0000

Queensland
Unit 4, 8 Reichert Dr
Molendinar QLD 4214
T: 07 5679 6821

