

I Series

Heat Pump Specifications

Inverter Series Specifications

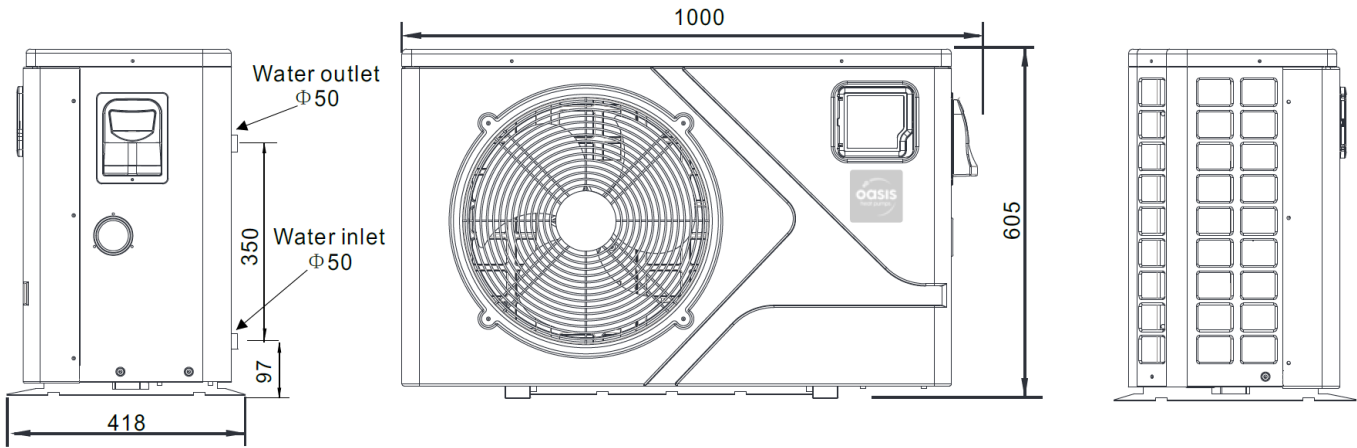
Model		Oasis I9	Oasis I12	Oasis I17	Oasis I19	Oasis I24	Oasis I28 T
Performance Condition: Air 27°C / Water 26°C							
Heating Capacity	kW	2.2 ~ 9	2.9 ~ 12	3.8 ~ 17	4.6 ~ 19.5	5.7 ~ 24.2	6.7 ~ 28.3
Running Current	A	0.8 ~ 7	1.1 ~ 9.4	1.5 ~ 13.3	1.8 ~ 17.2	2.2 ~ 20.9	1.1 ~ 9.3
Performance Condition: Air 19°C / Water 26°C							
Heating Capacity	Kw	2.0 ~ 8.6	2.47 ~ 10.6	3.2 ~ 13.6	4.2 ~ 16.9	5.1 ~ 21.9	5.3 ~ 25.4
Running Current	A	1.2 ~ 7	1.5 ~ 9.2	2.2 ~ 12.8	2.6 ~ 16.8	3.3 ~ 18	1.8 ~ 9.3
Heating Power Input	kW	0.16 – 1.3	0.21–2.12	0.37–3.94	0.3–3.02	0.46–4.8	0.54–5.57
Cooling Capacity	kW	3.7	4.5	5.1	6.1	9.0	12.0
Cooling Power Input	kW	1.5	1.9	2.0	2.2	4.5	5.2
Running Current	A	1.1 ~ 7.2	1.5 ~ 9.2	2.2 ~ 12.8	2.6 ~ 16.8	3.3 ~ 18	1.8 ~ 9.3
Power Supply	V/Ph/Hz	10 AMP Plug	10 AMP Plug	240/1/50	240/1/50	240/1/50	400V/3/50
Compressor Quantity		1	1	1	1	1	1
Compressor		Rotary	Rotary	Rotary	Rotary	Rotary	Rotary
Fan Quantity		1	1	1	1	2	2
Fan Power Input	W	100	100	100	120	120	200
Fan Rotate Speed	RPM	400 – 800	400 – 800	500 – 750	500 – 900	400 - 850	400 - 850
Fan Direction		Horizontal	Horizontal	Horizontal	Horizontal	Horizontal	Horizontal
Noise 1m	dB(A)	40 – 50	42 – 52	44 – 53	45 – 56	48 – 58	48 – 58
Silence Mode 1m	dB(A)	40	42	44	45	48	48
Water Connection	Mm	40	50	50	50	50	50
Water Flow Volume	l/m	53	70	88	110	166	166
Water Pressure Drop (max)	kPa	4	4.5	5	6	15	15
Unit Shipping Dimensions (L/W/H)	Mm	1040 X 435 X 615	1040 X 435 X 615	1120 x 510 x 880	1120 x 510 x 880	1120 x 495 x 1300	1120 x 495 x 1300
Net / Shipping Weight	kg	45 / 54	46 / 58	55 / 69	77 / 95	114 / 132	120 / 137

Cooling capacity is based on 19 °C ambient air temperature and 26°C water temperature

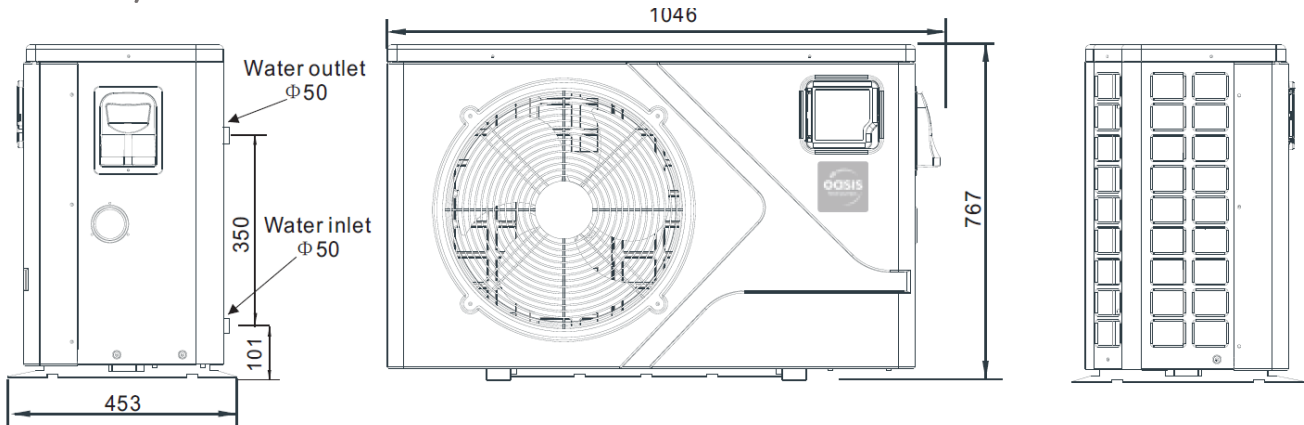
I Series

Heat Pump Dimensions

Oasis I9 / Oasis I12



Oasis I17 / Oasis I19



Oasis I24 / I28T

