

C Series –Commercial

Heat Pump Specifications

C Series Specifications - Commercial Operation - Heating & Cooling, with auto defrost

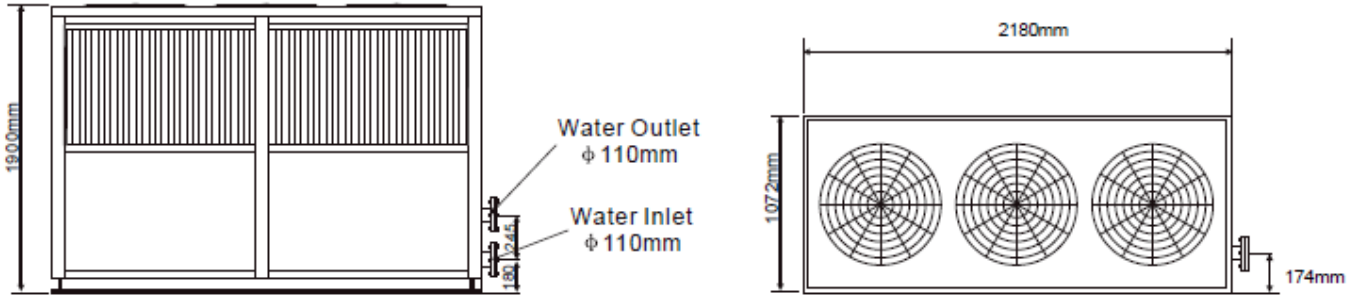
Model		Oasis C95	Oasis C120	Oasis C145	Oasis C200
Performance Condition: Air 27°C / Water 26°C					
Heating Capacity	kW	113	141	167	217
Running Current	A	31.4	38	50	79
Performance Condition: Air 19°C / Water 26°C					
Heating Capacity	kW	95	120	145	190
Heating Power Input	kW	17.5	21.8	25.4	32
Cooling Capacity	kW	64	80	97	119
Cooling Power Input	kW	18	25.8	28	39.1
Running Current	A	31.4	38	50	79
Power Supply	V/Ph/Hz	400V/3/50	400V/3/50	400V/3/50	400V/3/50
Compressor Quantity		4	2	2	4
Compressor		Scroll	Scroll	Scroll	Scroll
Fan Quantity		3	2	2	2
Fan Amps	A	0.72	0.9	0.9	0.9
Fan Direction		Vertical	Vertical	Vertical	Vertical
Noise	dB(A)	61	62	71	73
Water Connection	mm	63	110	110	110
Water Flow Volume	l/m	467	585	700	830
Water Pressure Drop (max)	kPa	16	16	16	18
Unit Shipping Dimensions (L/W/H)	mm	2175 x 1070 x 2030	2175 x 1070 x 2030	2175 x 1070 x 2030	2180 x 1070 x 2060
Net / Shipping Weight	kg	668/608	678/708	678/708	960/990

Cooling capacity is based on 19 °C ambient air temperature and 26°C water temperature

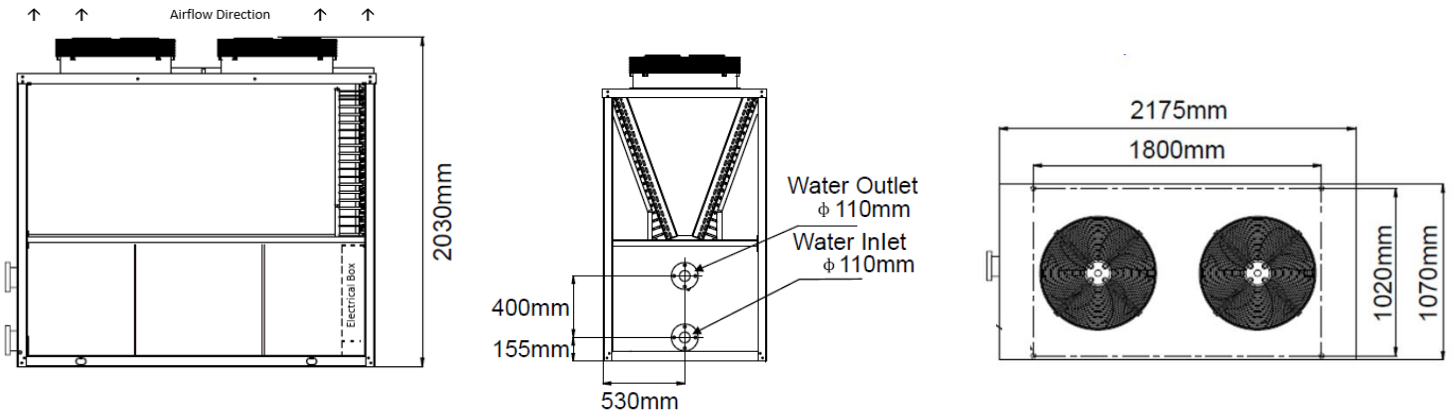
C Series – Commercial

Heat Pump Dimensions

Oasis C95



Oasis C120 / Oasis C145



Oasis C200

