

Ci Inverter Series



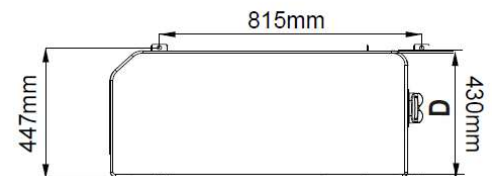
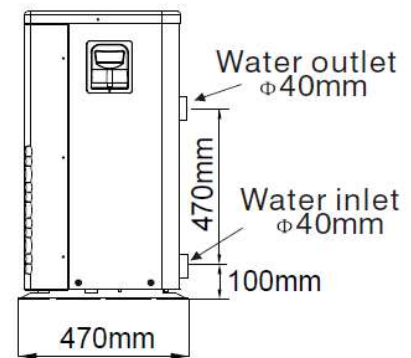
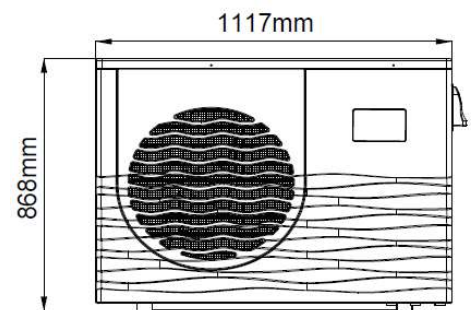
Ci 17 Heating and Cooling Heat Pump Specifications

Performance Condition: Air 27°C / Water 26°C

Heating Capacity	kW	4.6 ~ 19.5
Running Current	A	1.8 ~ 17.2

Performance Condition: Air 19°C / Water 26°C

Heating Capacity	kW	4.2 ~ 16.9
Running Current	A	2.6 ~ 16.8
Heating Power Input	kW	0.3-3.02
Cooling Capacity	kW	6.1
Cooling Power Input	kW	2.2
Running Current	A	2.6 ~ 16.8
Power Supply	V/Ph/Hz	240/1/50
Compressor Quantity	1	1
Compressor		Rotary
Fan Quantity		1
Fan Power Input	W	120
Fan Rotate Speed	RPM	500 – 900
Fan Direction		Horizontal
Noise 1m	dB(A)	45 – 56
Silence Mode 1m	dB(A)	45
Water Connection	Mm	50
Water Flow Volume	l/m	110
Water Pressure Drop (max)	kPa	6
Unit Shipping Dimensions	Mm (L/W/H)	1120 x 490 x 880
Net Weight / Shipping Weight	kg	77 / 95



Cooling capacity is based on 19 °C ambient air temperature and 26°C water temperature