

C Series

Heat Pump Specifications

C Series Specifications – Heating & Cooling, with auto defrost									
Model		Oasis C10	Oasis C16	Oasis C21	Oasis C25	Oasis C25T	Oasis C38T	Oasis C47T	Oasis C58T
Heating Capacity	kW	10	16	21	25	25	38	47	58
Heating Power Input	kW	1.9	2.85	3.8	4.3	4.3	7	8.7	12.8
Cooling Capacity	kW	5.4	7.4	13	15.5	15.5	24	33.5	45
Cooling Power Input	kW	2.2	3.1	4.8	5.8	5.8	7.8	10.5	12.7
Running Current	A	8.7	13.0	17.5	21.3	8.7	11.5	16.6	23
Power Supply	V/Ph/Hz	240/1/50	240/1/50	240/1/50	240/1/50	380/3/50	380/3/50	380/3/50	380/3/50
Compressor Quantity		1	1	1	1	1	2	2	2
Compressor		Rotary	Rotary	Scroll	Scroll	Scroll	Scroll	Scroll	Scroll
Fan Quantity		1	1	1	2	2	2	2	2
Fan Power Input	W	120	150	150	120x2	120x2	120x2	120x2	120x2
Fan Rotate Speed	RPM	850	850	850	850	850	830	830	830
Fan Direction		Horizontal	Horizontal	Horizontal	Horizontal	Horizontal	Horizontal	Horizontal	Horizontal
Noise	dB(A)	54	56	56	56	56	61	61	61
Water Connection	Mm	40	40	40	40	40	50	50	50
Water Flow Volume	l/m	75	100	116	150	150	200	250	333
Water Pressure Drop (max)	kPa	3.5	4.2	12	15	15	25	25	25
Unit Shipping Dimensions (L/W/H)	Mm	970 x 370 x 615	1220 x 480 x 880	1115 x 455 x 868	1002 x 425 x 1245	1002 x 425 x 1245	1490 x 735 x 1130	1490 x 735 x 1130	1490 x 735 x 1130
Net / Shipping Weight	kg	55/65	83/98	108 / 123	117/135	117/135	252/286	254/295	257/297

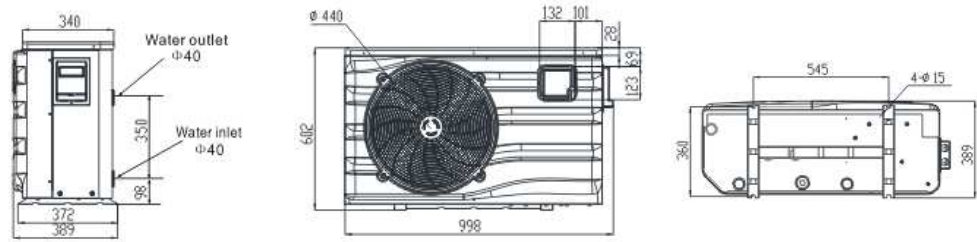
Heating capacity is based on a 19 °C ambient air temperature and 26°C water temperature
Cooling capacity is based on a 35 °C ambient air temperature and 30°C water temperature

C Series

Heat Pump Specifications

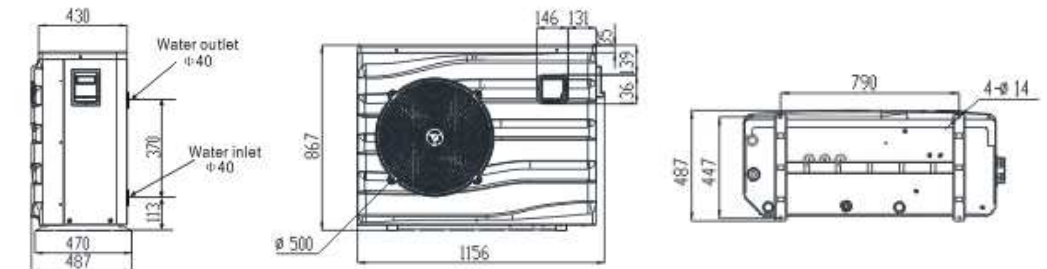
Specifications

> Oasis C10



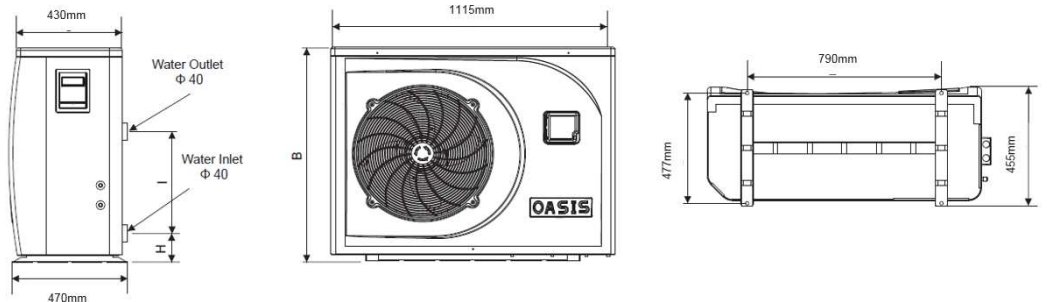
Specifications

> Oasis C16



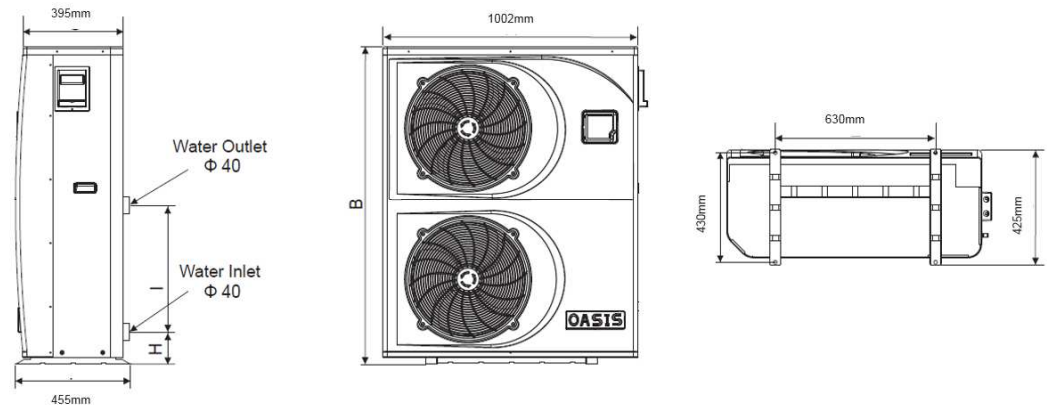
Specifications

> Oasis C21



Specifications

> Oasis C25 / C25 T



Specifications

> Oasis C38

> Oasis C47

> Oasis C58

