

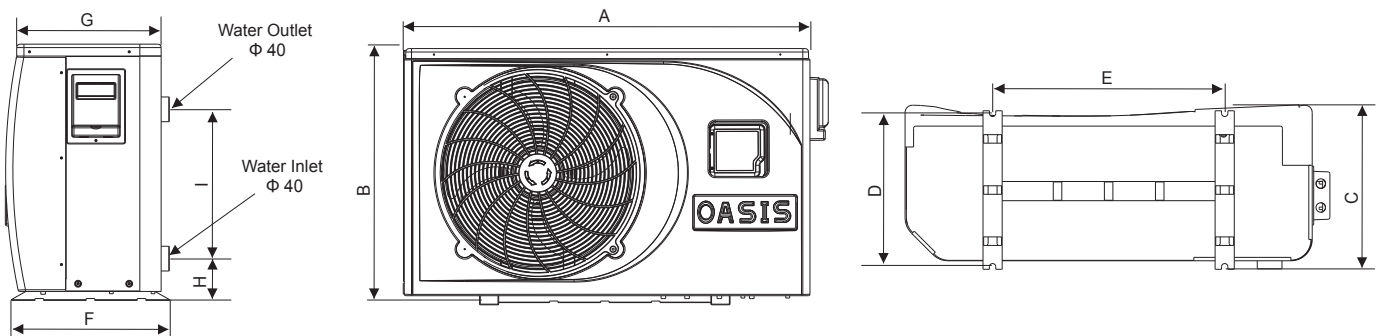
Heat Pump Specifications

H Series Specifications – Heat Only				
Model		Oasis EH9	Oasis H13	Oasis H17
Heating Capacity	kW	9	13.2	18.2
Heating Power Input	kW	1.5	2.1	3.0
Running Current	A	6.7	10.4	13.4
Power Supply	V/Ph/Hz	240/1/50	240/1/50	240/1/50
Compressor Quantity		1	1	1
Compressor		rotary	rotary	rotary
Fan Quantity		1	1	1
Fan Power Input	W	120	120	150
Fan Rotate Speed	RPM	850	850	850
Fan Direction		horizontal	horizontal	horizontal
Noise	dB(A)	51	54	56
Water Connection	mm	40	40	40
Water Flow Volume	l/m	50	75	100
Water Pressure Drop (max)	kPa	10	10	10
Unit Net Dimensions (L/W/H)	mm	956 x 372 x 600	956 x 372 x 600	1115 x 455 x 868
Net Weight/Shipping Weight	kg	61/71	65/72	100/108

NB: Heating capacity is based on a 19 deg C ambient air temperature, water temp 26 deg C

Specifications Oasis EH9 | Oasis H13

Measurements								
A	B	C	D	E	F	G	H	I
956mm	600mm	385mm	360mm	545mm	372mm	340mm	98mm	350mm



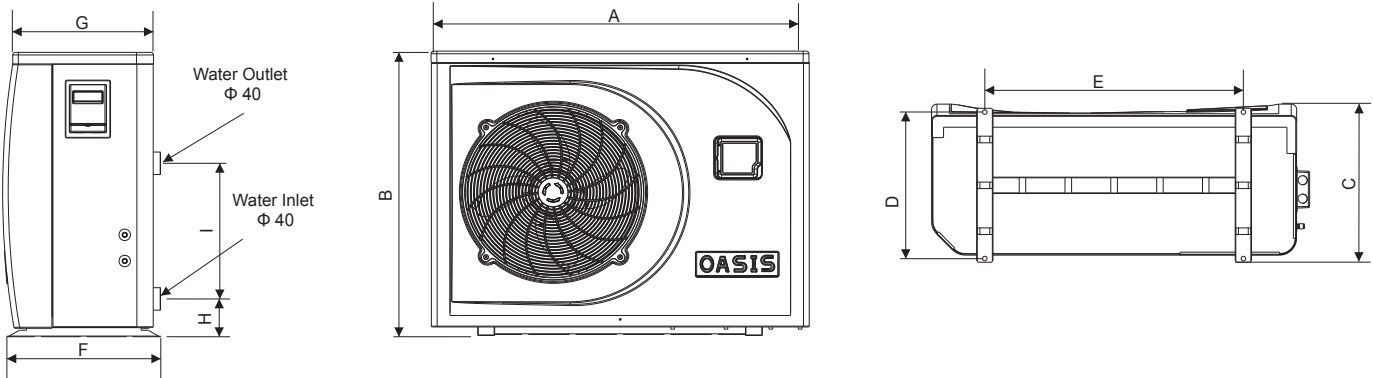
H Series

Heat Pump Specifications



Specifications Oasis H17

Measurements								
A	B	C	D	E	F	G	H	I
1115mm	868mm	455mm	447mm	790mm	470mm	430mm	98mm	400mm



Head Office
 62 Parkhurst Dr
 Knoxfield VIC 3180
T: 03 9887 2131
 F: 03 9887 4931

New South Wales
 Unit 2, 20-22 Foundry Rd
 Seven Hills, NSW 2147
T: 02 9838 0000
 F: 02 9838 0466

Queensland
 Unit 1, 8 Reichert Dr
 Molendinar QLD 4214
T: 1800 314 388
 F: 07 5597 7361

sales@sunloverheating.com.au
sunloverheating.com.au