

OASIS EZI HEAT



SWIM ANY TIME, IN ANY WEATHER



SWIM IN A WARM POOL FOR
THE ENTIRE SEASON FOR AS
LITTLE AS **\$2.60 PER DAY***

- ✓ Energy Efficient
- ✓ Retrofits to existing filtration system
- ✓ No electrician required
- ✓ Comes supplied with a 2m cord and three pin plug

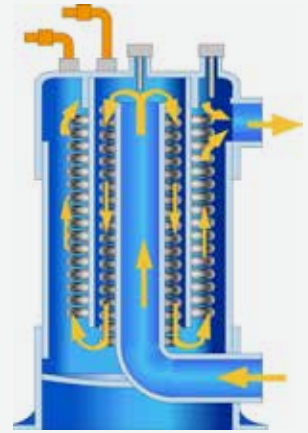


MULTI AWARD
WINNERS



* Figures are based on a 28 sq mtr Sydney pool running at 28°C with an OASIS heat pump between the months of September and April. Estimated costs only, actual costs dependant on weather and specific pool environment. Costs based on natural gas and electrical pricing as at 1/1/2014 compared with standard domestic electricity tariff. Pool cover on from 5pm till 9am.

This highly efficient heat pump gives you incredible temperature control



ANNUAL OPERATING COST*

SYDNEY EXAMPLE. (28²m Pool)

\$625.00
PER YEAR
HEAT PUMP



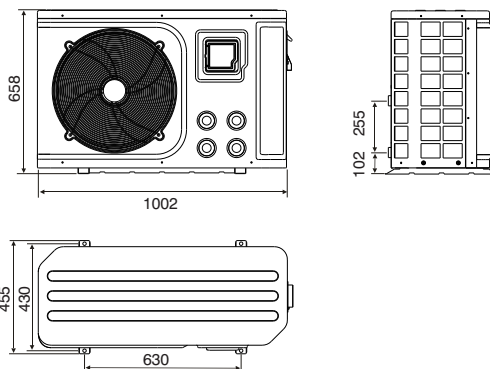
\$930.00
PER YEAR
GAS HEATER



Specifications

- ◆ LCD digital controller
- ◆ Hydrophilic fin coil coating
- ◆ ABS Plastic Construction
- ◆ Titanium coil (life time warranty)
- ◆ Fan design (whisper quiet)
- ◆ Internal flow switch
- ◆ Built in drains
- ◆ Slimline design
- ◆ Ozone friendly and highly efficient R410a

Unit dimensions



Model		Oasis EH9
Heating Capacity	kW	9
Heating Power Input	kW	1.7
Running Current	A	7.4
Power Supply	V/Ph/Hz	230/1/50
Noise	dB(A)	54
Water Connection	mm	40
Water Flow Volume	m ³ /h	3
Water Pressure Drop (max)	kPa	10

Contact Sunlover Heating to find out more about our solar heating range

Head Office
62 Parkhurst Drive
Knoxfield VIC 3180
T: 03 9887 2131
F: 03 9887 4931

New South Wales
Unit 2, 20-22 Foundry Rd
Seven Hills, NSW 2147
T: 02 9838 0000
F: 02 9838 0466

Queensland
Factory 6, 7-9 Activity Cres
Molendinar QLD 4214
T: 07 5597 7360
F: 07 5597 7361

Western Australia
PO box 1143
Subiaco, WA 6904
T: 0488 499 978

